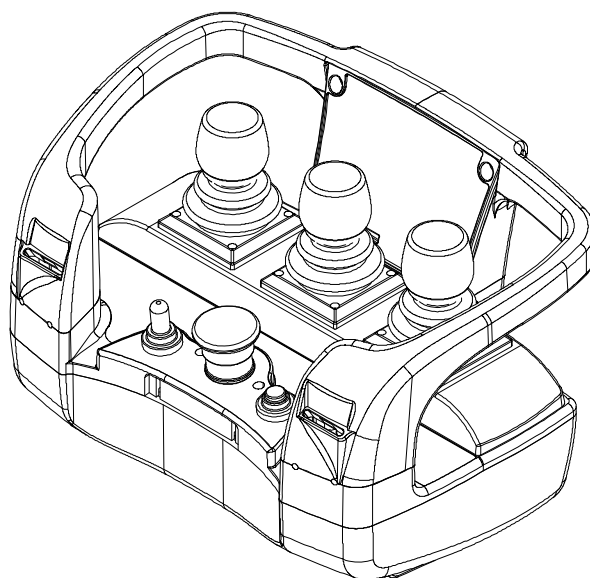
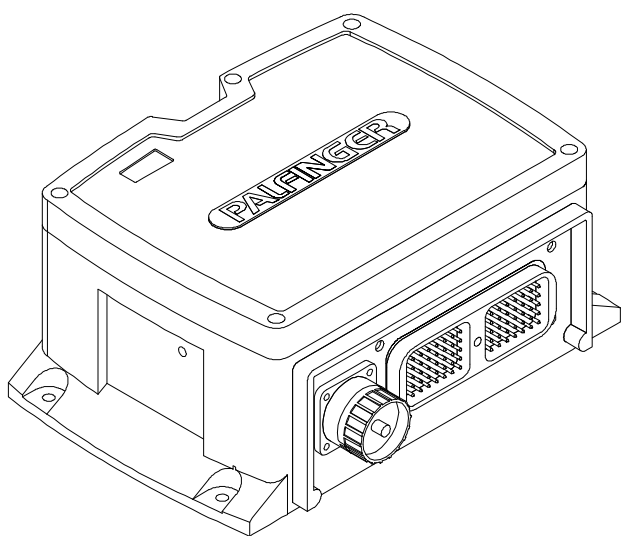


Ersatzteilkatalog
Spare parts list
Catalogue de pieces



RC 400 P2

Funkfernsteuerung
Radio remote control
Radio inst de telecomande

HINWEISE ZUR ERSATZTEILBESTELLUNG

Bei Bestellungen bitte unbedingt angeben:

- Krantype, Code und Fabrikationsnummer (siehe Typenschild)
- Ersatzteilnummer
- gewünschte Anzahl der Ersatzteile
- Ersatzteilnummern für Druckleitungen bzw. Druckschluche bei Kranen mit Bordverschraubungen 37 ° enden mit JI

INFORMATION ON THE ORDERING OF SPARE PARTS

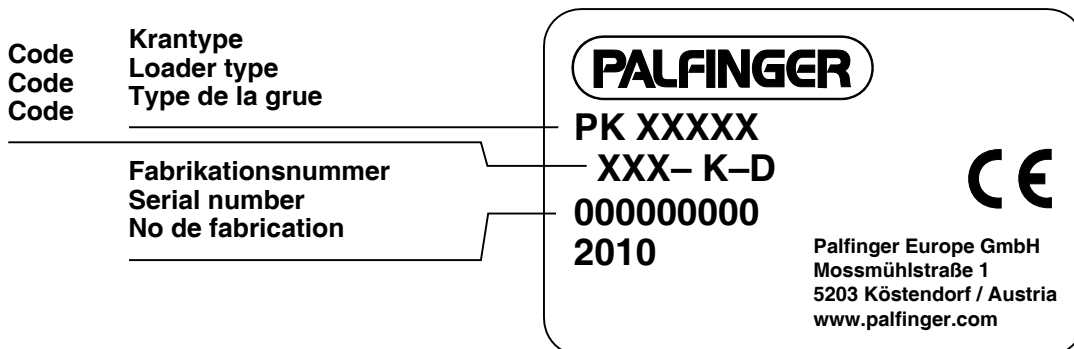
To supply you with the correct parts in the shortest possible time it is necessary to inform us about following details:

- Loader type, code and serial number (look identification plate)
- Spare parts number
- Required quantity of spare parts
- For cranes with flange-couplings 37 °, spare parts numbers for pipes and hoses end with JI

CONSIGNES RELATIVES A LA COMMANDE DES PIECES DE RECHANGE

Pour toute commande nous indiquer necessairement:

- Le type de la grue, code et no de fabrication (voir plaque signaletique)
- La reference de piece
- La quantite de pieces
- Les pieces tuyau et flexible pour les grues raccords de bordel 37 ° se terminent par JI



<i>Tafel Figure Planche</i>	<i>Inhaltsverzeichnis</i>	<i>Table of contents</i>	<i>Table des matieres</i>
010	Sendepult	Portable control	Portative commande
010.0100	Sendepult klein	Portable control small	Portative commande petit
010.0200	Sendepult klein	Portable control small	Portative commande petit
010.0300	Sendepult groß	Portable control big	Portative commande grand
010.0400	Sendepult groß	Portable control big	Portative commande grand
010.0500	Sendepult groß	Portable control big	Portative commande grand
010.0600	Sendepult groß	Portable control big	Portative commande grand
010.0700	Sendepult groß	Portable control big	Portative commande grand
010.0800	Sendepult klein	Portable control small	Portative commande petit
010.0900	Sendepult groß	Portable control big	Portative commande grand
020	Empfänger	Reciver	Recepteur
020.0100	Empfänger	Receiver	Recepteur
030	Stecker	Pulg	Fiche
030.0100	Stecker	Plug	Fiche
030.0200	Stecker	Plug	Fiche
040	Zubehör	Accessoires	Accessoires
040.0100	Zubehör	Accessoires	Accessoires
040.0200	Schilder	Shields	Shields

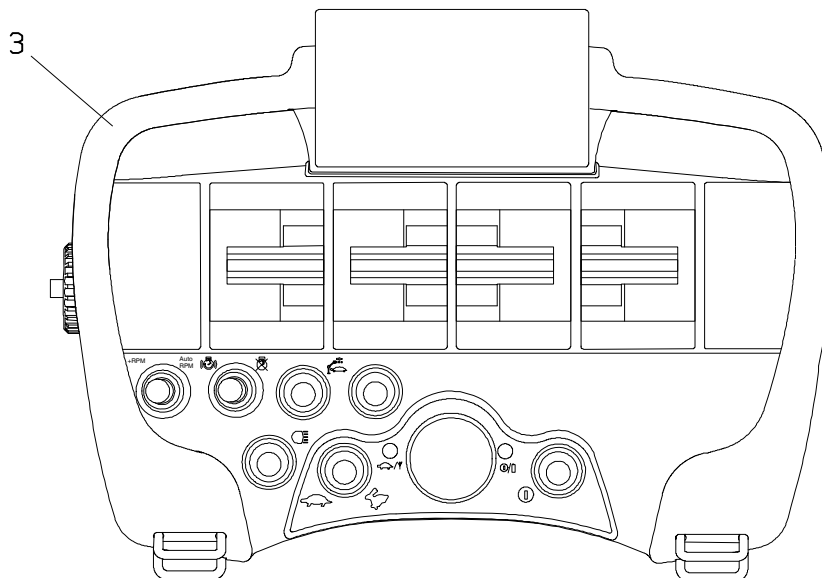
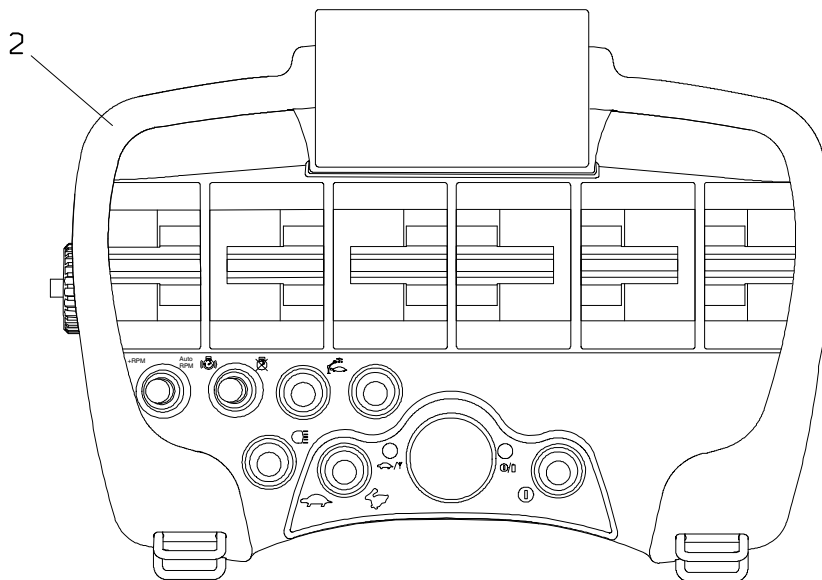
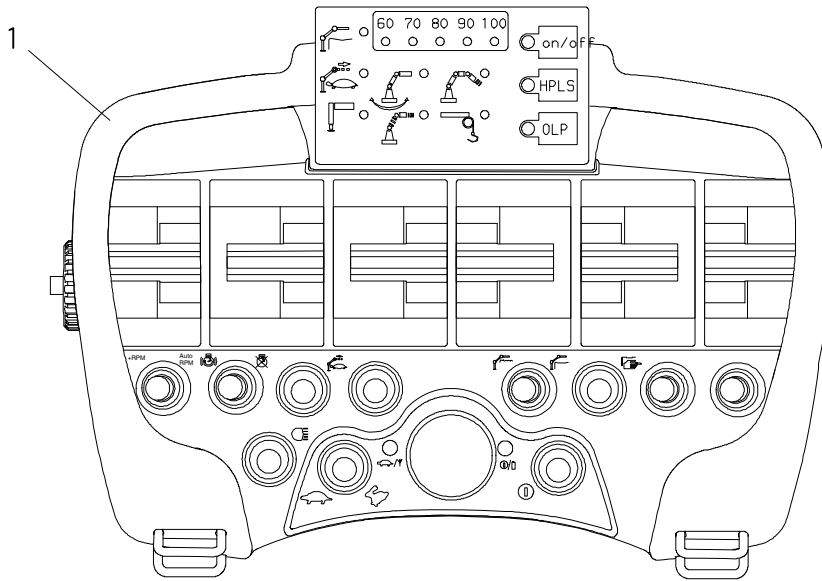
010.0100

10/2012

PALFINGER

RC 400 P2

Sendepult klein
Portable control small
Portative commande petit



Nr. No.	Ersatzteil Nr. Sparepart no. No Piece de rechange	Stk. Qty. Nbre.	Teilebezeichnung	Description	Nomenclature	Abmessung Dimension Dimension
1	EEA4479	1	Sendepult	Portable control	Portative commande	L1
1	EEA4479A	1	Sendepult	Portable control	Portative commande	L2
			(6-fach)	(6-sections)	(6-elements)	
			(Europafrequenz)	(Europe frequenz)	(Europe frØquence)	
1	EEA4494	1	Sendepult	Portable control	Portative commande	L1
1	EEA4494A	1	Sendepult	Portable control	Portative commande	L2
			(6-fach)	(6-sections)	(6-elements)	
			(USA/CDN Frequenz)	(USA/CDN frequency)	(USA/CDN frØquence)	
1	EEA5655	1	Sendepult	Portable control	Portative commande	L2
			(6-fach)	(6-sections)	(6-elements)	
			(Japanfrequenz)	(Japan frequenz)	(Japan frØquence)	
2	EEA4480	1	Sendepult	Portable control	Portative commande	L1
2	EEA4480A	1	Sendepult	Portable control	Portative commande	L2
			(6-fach)	(6-sections)	(6-elements)	
			(ohne Display)	(without display)	(sans display)	
			(Europafrequenz)	(Europe frequenz)	(Europe frØquence)	
2	EEA4495	1	Sendepult	Portable control	Portative commande	L2
			(6-fach)	(6-sections)	(6-elements)	
			(ohne Display)	(without display)	(sans display)	
			(USA/CDN Frequenz)	(USA/CDN frequency)	(USA/CDN frØquence)	
2	EEA5656	1	Sendepult	Portable control	Portative commande	L2
			(6-fach)	(6-sections)	(6-elements)	
			(ohne Display)	(without display)	(sans display)	
			(Japanfrequenz)	(Japan frequenz)	(Japan frØquence)	
3	EEA6217	1	Sendepult	Portable control	Portative commande	L1
3	EEA6217A	1	Sendepult	Portable control	Portative commande	L2
			(4-fach)	(4-sections)	(4-elements)	
			(ohne Display)	(without display)	(sans display)	
			(Europafrequenz)	(Europe frequenz)	(Europe frØquence)	
3	EEA6218	1	Sendepult	Portable control	Portative commande	L2
			(4-fach)	(4-sections)	(4-elements)	
			(ohne Display)	(without display)	(sans display)	
			(USA/CDN Frequenz)	(USA/CDN frequency)	(USA/CDN frØquence)	

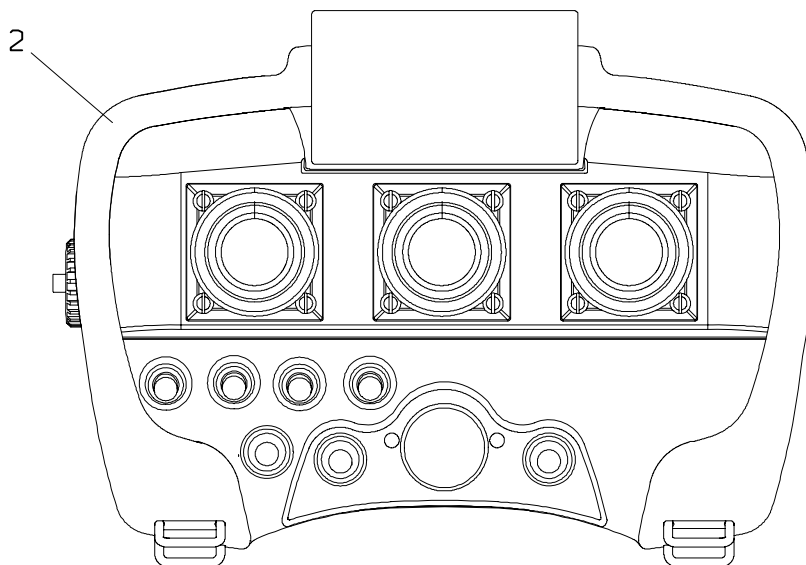
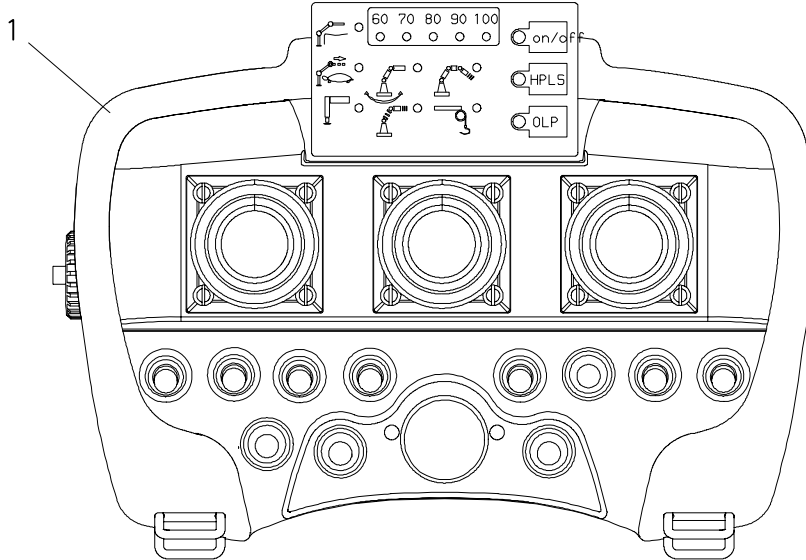
010.0200

12/2005

PALFINGER

RC 400 P2

Sendepult klein
Portable control small
Portative commande petit



PALFINGER**RC 400 P2****Sendepult klein
Portable control small
Portative commande petit**zu Tafel
to figure
voir planche**010.0200**

12/2005

Nr. No. No.	Ersatzteil Nr. Sparepart no. No Piece de rechange	Stk. Qty. Nbre.	Teilebezeichnung	Description	Nomenclature	Abmessung Dimension Dimension
1	EEA4471	1	Sendepult (6-fach) (Europafrequenz)	Portable control (6-sections) (Europe frequenz)	Portative commande (6-elements) (Europe frØquence)	
1	EEA4486	1	Sendepult (6-fach) (USA/CDN Frequenz)	Portable control (6-sections) (USA/CDN frequency)	Portative commande (6-elements) (USA/CDN frØquence)	
2	EEA4472	1	Sendepult (6-fach) (ohne Display) (Europafrequenz)	Portable control (6-sections) (without display) (Europe frequenz)	Portative commande (6-elements) (sans display) (Europe frØquence)	
2	EEA4487	1	Sendepult (6-fach) (ohne Display) (USA/CDN Frequenz)	Portable control (6-sections) (without display) (USA/CDN frequency)	Portative commande (6-elements) (sans display) (USA/CDN frØquence)	

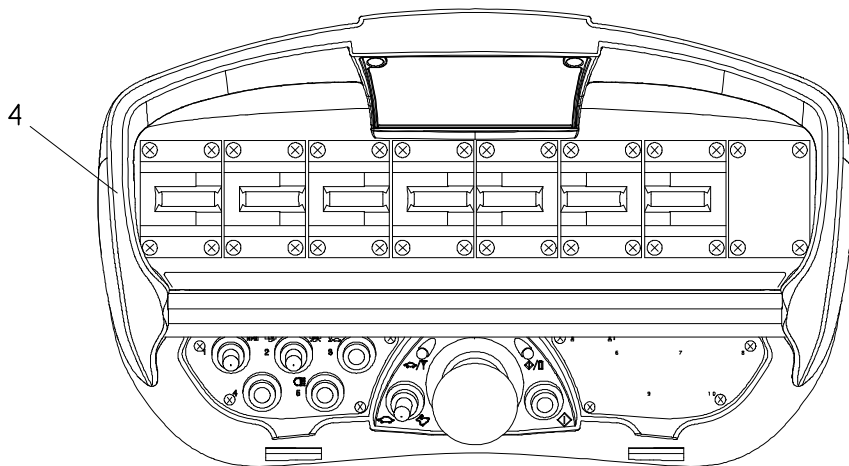
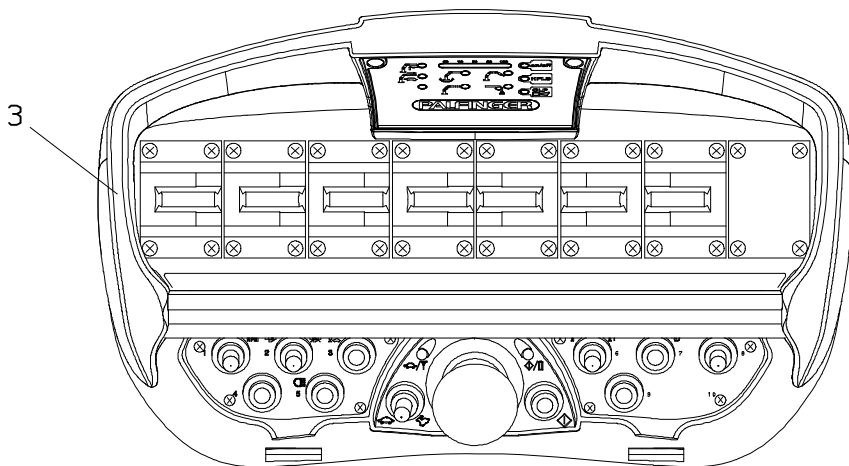
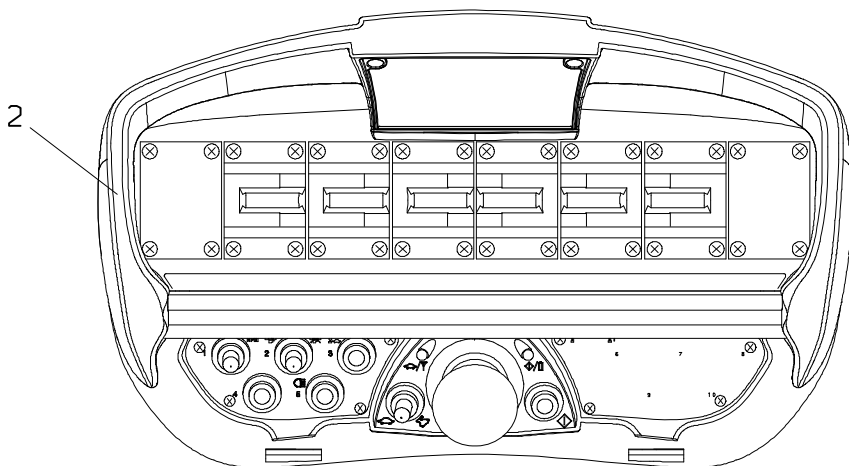
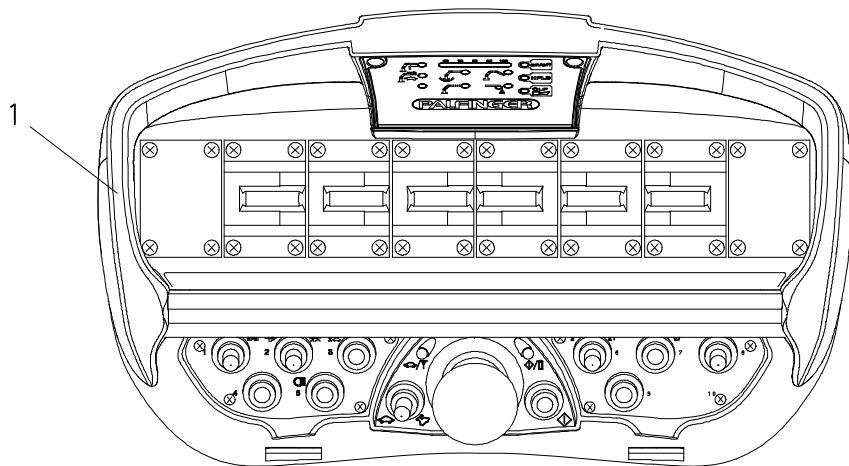
010.0300

01/2012

PALFINGER

RC 400 P2

Sendepult groß
Portable control big
Portative commande grand



PALFINGER**RC 400 P2****Sendepult groß
Portable control big
Portative commande grand**zu Tafel
to figure **010.0300**
voir planche

01/2012

Nr. No.	Ersatzteil Nr. Sparepart no. No Piece de rechange	Stk. Qty. Nbre.	Teilebezeichnung	Description	Nomenclature	Abmessung Dimension Dimension
1	EEA5009	1	Sendepult	Portable control	Portative commande	L1
1	EEA5009A	1	Sendepult	Portable control	Portative commande	L2
1	EEA5053	1	Sendepult (6-fach) (Europafrequenz)	Portable control (6-sections) (Europe frequenz)	Portative commande (6-elements) (Europe frØquence)	L2
2	EEA5050	1	Sendepult	Portable control	Portative commande	L1
2	EEA5050A	1	Sendepult (6-fach) (ohne Display) (Europafrequenz)	Portable control (6-sections) (without display) (Europe frequenz)	Portative commande (6-elements) (sans display) (Europe frØquence)	L2
2	EEA5054	1	Sendepult (6-fach) (ohne Display) (USA/CDN Frequenz)	Portable control (6-sections) (without display) (USA/CDN frequenz)	Portative commande (6-elements) (sans display) (USA/CDN frØquence)	L2
3	EEA4481	1	Sendepult	Portable control	Portative commande	L1
3	EEA4481A	1	Sendepult (7-fach) (Europafrequenz)	Portable control (7-sections) (Europe frequenz)	Portative commande (7-elements) (Europe frØquence)	L2
3	EEA4496	1	Sendepult (7-fach) (USA/CDN Frequenz)	Portable control (7-sections) (USA/CDN frequenz)	Portative commande (7-elements) (USA/CDN frØquence)	L2
4	EEA4482	1	Sendepult	Portable control	Portative commande	L1
4	EEA4482A	1	Sendepult (7-fach) (ohne Display) (Europafrequenz)	Portable control (7-sections) (without display) (Europe frequenz)	Portative commande (7-elements) (sans display) (Europe frØquence)	L2
4	EEA4497	1	Sendepult (7-fach) (ohne Display) (USA/CDN Frequenz)	Portable control (7-sections) (without display) (USA/CDN frequenz)	Portative commande (7-elements) (sans display) (USA/CDN frØquence)	L2

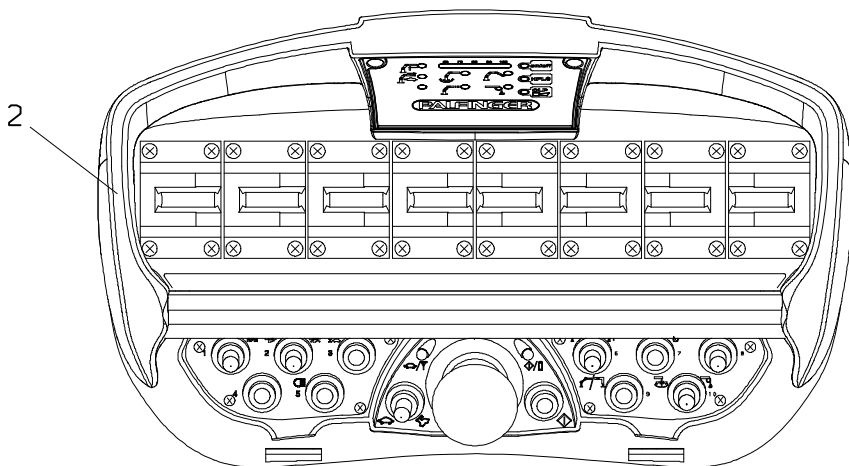
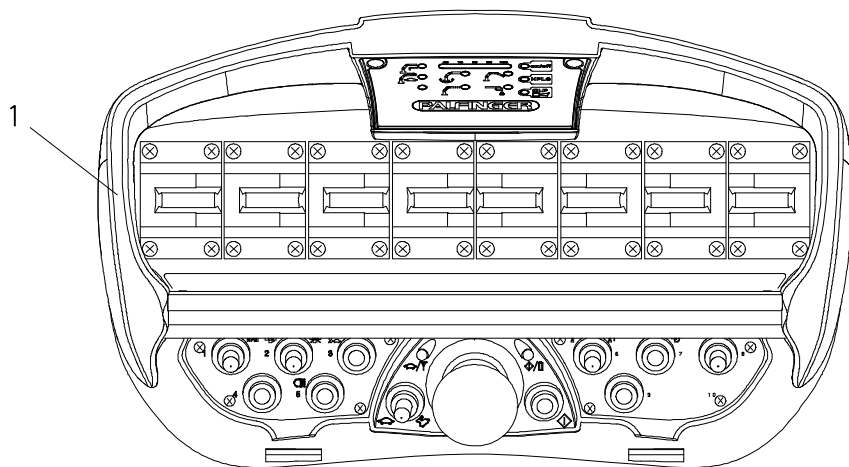
010.0400

01/2012

PALFINGER

RC 400 P2

Sendepult groß
Portable control big
Portative commande grand



PALFINGER**RC 400 P2****Sendepult groß
Portable control big
Portative commande grand**zu Tafel
to figure
voir planche**010.0400**

01/2012

Nr. No.	Ersatzteil Nr. Sparepart no. No Piece de rechange	Stk. Qty. Nbre.	Teilebezeichnung	Description	Nomenclature	Abmessung Dimension Dimension
1	EEA4483	1	Sendepult	Portable control	Portative commande	L1
1	EEA4483A	1	Sendepult	Portable control	Portative commande	L2
			(8-fach)	(8-sections)	(8-elements)	
			(Europafrequenz)	(Europe frequenz)	(Europe frØquence)	
1	EEA4498	1	Sendepult	Portable control	Portative commande	L2
			(8-fach)	(8-sections)	(8-elements)	
			(USA/CDN Frequenz)	(USA/CDN frequency)	(USA/CDN frØquence)	
2	EEA4484	1	Sendepult	Portable control	Portative commande	L1
2	EEA4484A	1	Sendepult	Portable control	Portative commande	L2
			(8+1-fach)	(8+1-sections)	(8+1-elements)	
			(Europafrequenz)	(Europe frequenz)	(Europe frØquence)	
2	EEA4499	1	Sendepult	Portable control	Portative commande	L1
2	EEA4499A	1	Sendepult	Portable control	Portative commande	L2
			(8+1-fach)	(8+1-sections)	(8+1-elements)	
			(USA/CDN Frequenz)	(USA/CDN frequency)	(USA/CDN frØquence)	

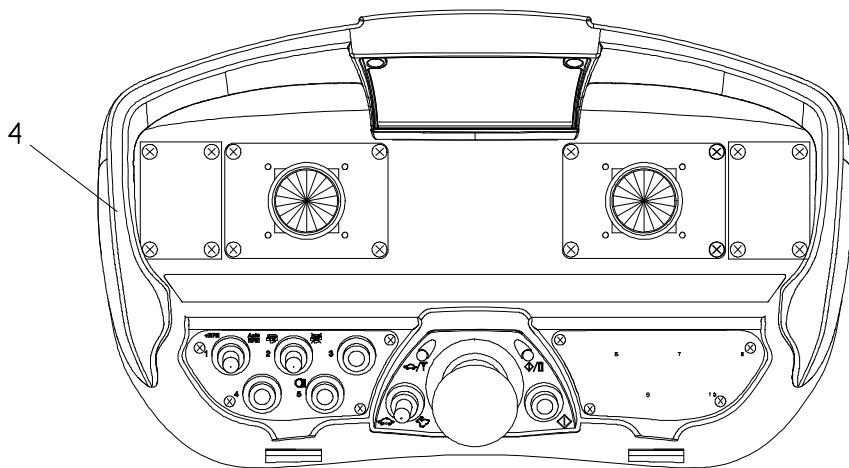
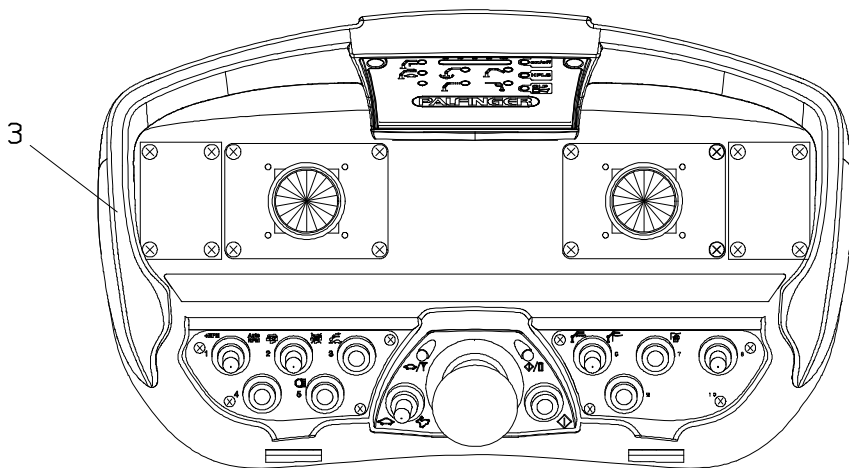
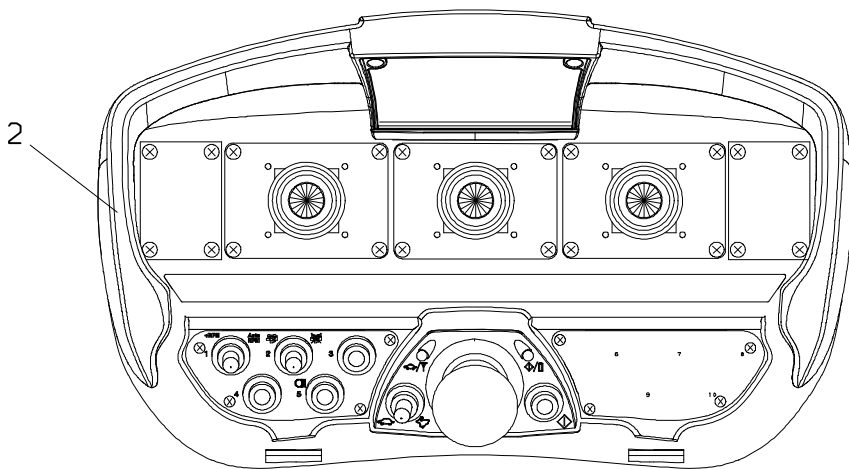
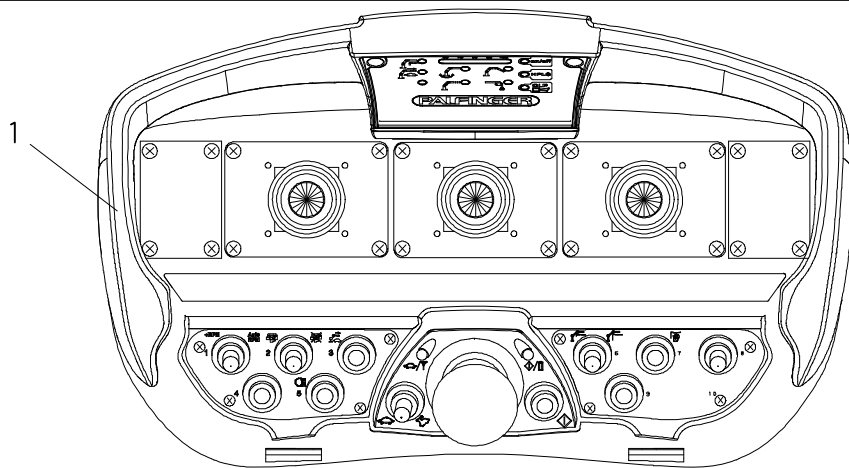
010.0500

05/2007

PALFINGER

RC 400 P2

Sendepult groß
Portable control big
Portative commande grand



PALFINGER**RC 400 P2****Sendepult groß
Portable control big
Portative commande grand**zu Tafel
to figure
voir planche**010.0500**

05/2007

Nr. No. No.	Ersatzteil Nr. Sparepart no. No Piece de rechange	Stk. Qty. Nbre.	Teilebezeichnung	Description	Nomenclature	Abmessung Dimension Dimension
1	EEA5048	1	Sendepult (6-fach) (Europafrequenz)	Portable control (6-sections) (Europe frequenz)	Portative commande (6-elements) (Europe frØquence)	
1	EEA5051	1	Sendepult (6-fach) (USA/CDN Frequenz)	Portable control (6-sections) (USA/CDN frequency)	Portative commande (6-elements) (USA/CDN frØquence)	
2	EEA5049	1	Sendepult (6-fach) (ohne Display) (Europafrequenz)	Portable control (6-sections) (without display) (Europe frequenz)	Portative commande (6-elements) (sans display) (Europe frØquence)	
2	EEA5052	1	Sendepult (6-fach) (ohne Display) (USA/CDN Frequenz)	Portable control (6-sections) (without display) (USA/CDN frequency)	Portative commande (6-elements) (sans display) (USA/CDN frØquence)	
3	EEA4473	1	Sendepult (6-fach) (Europafrequenz)	Portable control (6-sections) (Europe frequenz)	Portative commande (6-elements) (Europe frØquence)	
3	EEA4488	1	Sendepult (6-fach) (USA/CDN Frequenz)	Portable control (6-sections) (USA/CDN frequency)	Portative commande (6-elements) (USA/CDN frØquence)	
4	EEA4474	1	Sendepult (6-fach) (ohne Display) (Europafrequenz)	Portable control (6-sections) (without display) (Europe frequenz)	Portative commande (6-elements) (sans display) (Europe frØquence)	
4	EEA4489	1	Sendepult (6-fach) (ohne Display) (USA/CDN Frequenz)	Portable control (6-sections) (without display) (USA/CDN frequency)	Portative commande (6-elements) (sans display) (USA/CDN frØquence)	

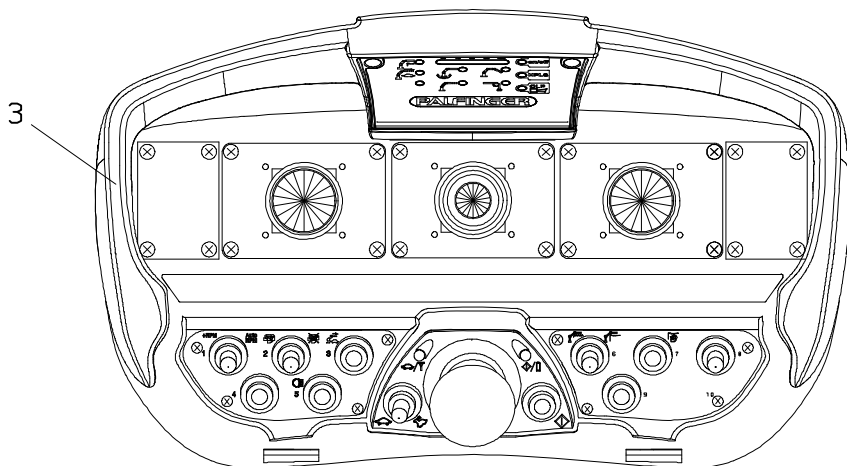
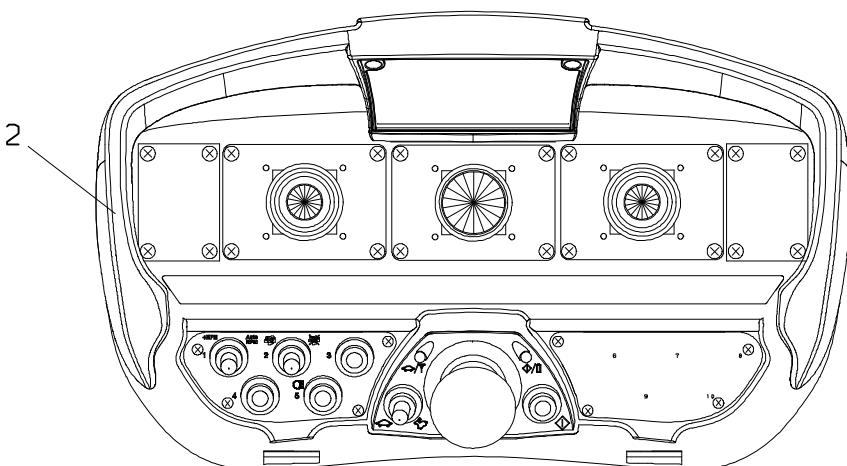
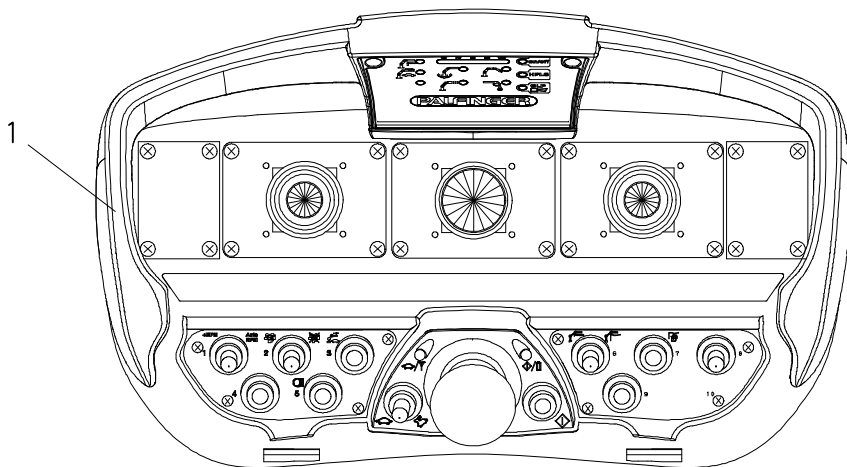
010.0600

05/2007

PALFINGER

RC 400 P2

Sendepult groß
Portable control big
Portative commande grand



PALFINGER**RC 400 P2****Sendepult groß
Portable control big
Portative commande grand**zu Tafel
to figure
voir planche**010.0600**

05/2007

Nr. No. No.	Ersatzteil Nr. Sparepart no. No Piece de rechange	Stk. Qty. Nbre.	Teilebezeichnung	Description	Nomenclature	Abmessung Dimension Dimension
1	EEA4475	1	Sendepult (7-fach) (Europafrequenz)	Portable control (7-sections) (Europe frequenz)	Portative commande (7-elements) (Europe frØquence)	
1	EEA4490	1	Sendepult (7-fach) (USA/CDN Frequenz)	Portable control (7-sections) (USA/CDN frequency)	Portative commande (7-elements) (USA/CDN frØquence)	
2	EEA4476	1	Sendepult (7-fach) (ohne Display) (Europafrequenz)	Portable control (7-sections) (without display) (Europe frequenz)	Portative commande (7-elements) (sans display) (Europe frØquence)	
2	EEA4491	1	Sendepult (7-fach) (ohne Display) (USA/CDN Frequenz)	Portable control (7-sections) (without display) (USA/CDN frequency)	Portative commande (7-elements) (sans display) (USA/CDN frØquence)	
3	EEA4477	1	Sendepult (8-fach) (Europafrequenz)	Portable control (8-sections) (Europe frequenz)	Portative commande (8-elements) (Europe frØquence)	
3	EEA4492	1	Sendepult (8-fach) (USA/CDN Frequenz)	Portable control (8-sections) (USA/CDN frequency)	Portative commande (8-elements) (USA/CDN frØquence)	

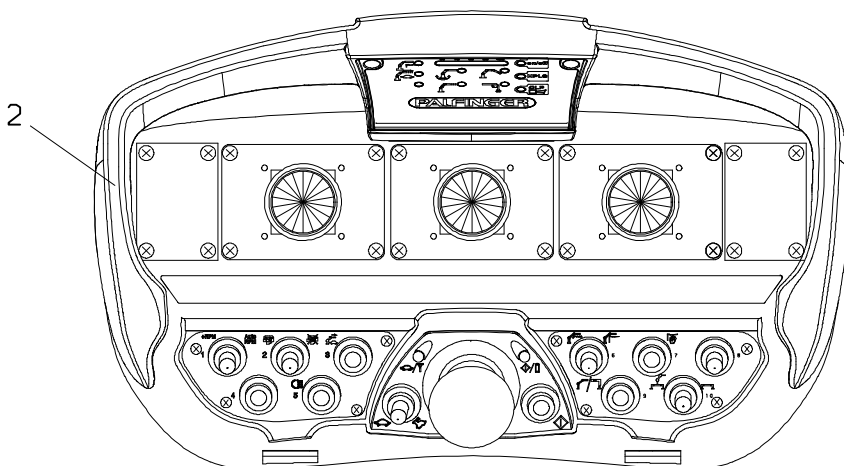
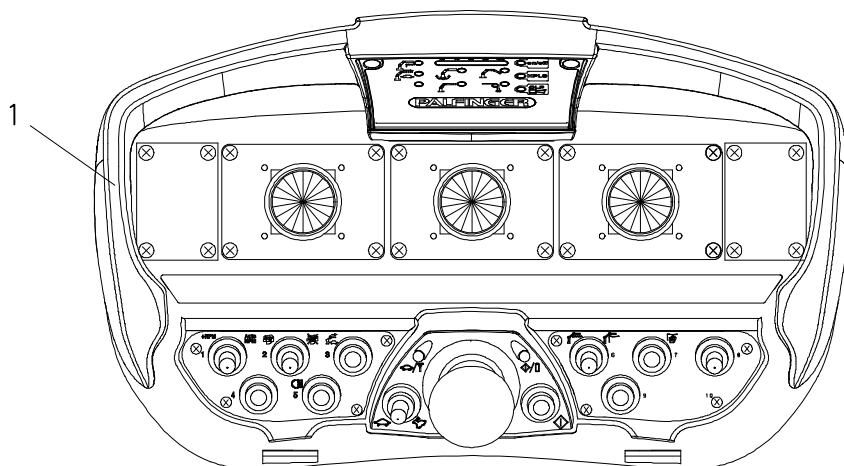
010.0700

05/2007

PALFINGER

RC 400 P2

Sendepult groß
Portable control big
Portative commande grand



PALFINGER**RC 400 P2****Sendepult groß
Portable control big
Portative commande grand**zu Tafel
to figure
voir planche**010.0700**

05/2007

Nr. No. No.	Ersatzteil Nr. Sparepart no. No Piece de rechange	Stk. Qty. Nbre.	Teilebezeichnung	Description	Nomenclature	Abmessung Dimension Dimension
1	EEA4478	1	Sendepult (9-fach) (Europafrequenz)	Portable control (9-sections) (Europe frequenz)	Portative commande (9-elements) (Europe frØquence)	
1	EEA4493	1	Sendepult (9-fach) (USA/CDN Frequenz)	Portable control (9-sections) (USA/CDN frequency)	Portative commande (9-elements) (USA/CDN frØquence)	
2	EEA4823	1	Sendepult (Tandem) (9-fach) (Europafrequenz)	Portable control (tandem) (9-sections) (Europe frequenz)	Portative commande (tandem) (9-elements) (Europe frØquence)	
2	EEA4824	1	Sendepult (Tandem) (9-fach) (USA/CDN Frequenz)	Portable control (tandem) (9-sections) (USA/CDN frequency)	Portative commande (tandem) (9-elements) (USA/CDN frØquence)	

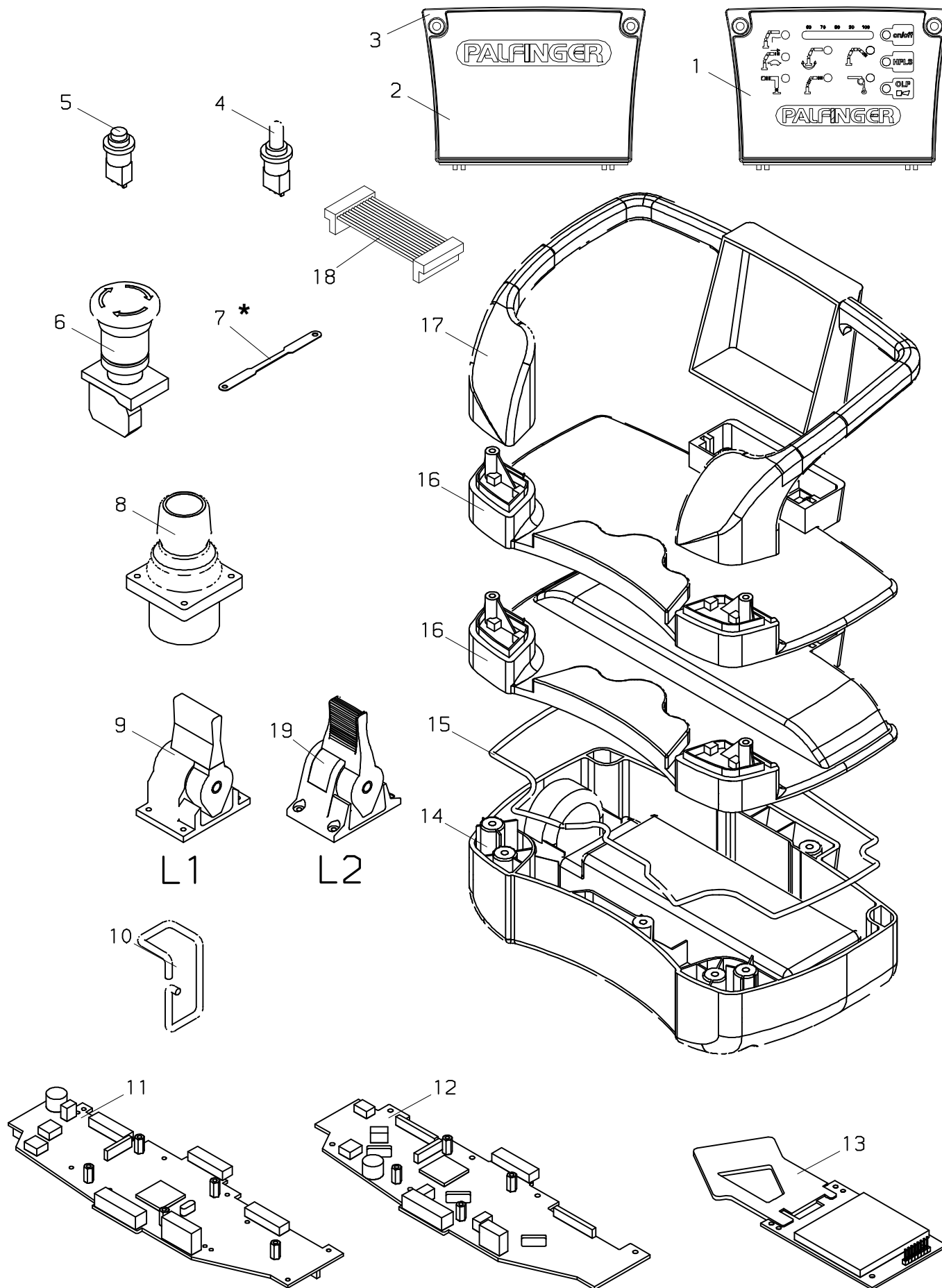
010.0800

01/2012

PALFINGER

RC 400 P2

Sendepult klein
Portable control small
Portative commande petit



* **Sicherungsband für Not-Ausschalter**
Fixation strap for emergency cut off switch
Bande de fixation pour le commutateur d'arrêt d'urgences

PALFINGER**RC 400 P2****Sendepult klein
Portable control small
Portative commande petit**zu Tafel
to figure
voir planche**010.0800**

01/2012

Nr. No. No.	Ersatzteil Nr. Sparepart no. No Piece de rechange	Stk. Qty. Nbre.	Teilebezeichnung	Description	Nomenclature	Abmessung Dimension Dimension
1	EEA4793	1	Display	Display	Affichage	
2	EB4944	1	Klebeschild	Shield	Plaque	
3	EEA4717	1	Blindplatte	blanking plate	plaque obturatrice	
4	EEA4013	1	Wippschalter	Rocker switches	Commutateurs de culbuteur	ON-ON
4	EEA2582	1	Wippschalter	Rocker switches	Commutateurs de culbuteur	ON-OFF-ON
4	EEA2569	1	Tippschalter	Tapping switches	Le tapement commute	ON-OFF-ON
5	EEA2570	1	Drucktaster	Push button	Bouton-poussoir	
6	EEA4786	1	Not-Aus	(Emergency cut-off)	Arret d'urgence	
7	EK1461	1	Sicherungsbügel	Safety stirrup	Etrier de surete	
8	EEA4784	1	Kreuzhebel	Cross levers	tiges croises	
9	EEA2506	1	Linearhebel	Linear levers	Lineaires leviers	L1
10	EEA4926	1	Gurtbefestigung	Belt attachment	Connexion de ceinture	
11	EEA4790	1	Platine (Linearhebelst.)	Attachment board	Platine	L1
11	EEA5471	1	Platine (Linearhebelst.)	Attachment board	Platine	L2
12	EEA4791	1	Platine (Kreuzhebelst.)	Attachment board (cross levers)	Platine (tiges croises)	
13	EEA4794	1	HF-Module, kpl. (Europafrequenz)	RF-module, cpl. (Europe frequenz)	Module-HF, cplt. (Europe frØquence)	
13	EEA4707	1	HF-Module, kpl. (USA/CDN Frequenz)	RF-module, cpl. (USA/CDN frequency)	Module-HF, cplt. (USA/CDN frØquence)	
14	EEA4787	1	Gehäuseunterteil	Housing base	Base de logement	
14	EEA4714	1	Stecker 7-Polig	Pulg 7-pole	Fiche 7-poles	
14	EEA4301	1	Verschlusskappe	Cap	Chapuchon protect	
15	EK1230	1	Dichtung	Seal	Joint d'etancheite	
16	EEA4789	1	Gehäuse (Kreuzhebelst.) (mit LED) (mit Schalter)	Housing (cross levers) (with LED) (with switch)	Moufle inferieur (tiges croises) (avec LED) (avec commutateur)	
16	EEA5056	1	Gehäuse (Kreuzhebelst.) (ohne LED) (mit Schalter)	Housing (cross levers) (without LED) (with switch)	Dessus (tiges croises) (sans LED) (avec commutateur)	
16	EEA5057	1	Gehäuse (Linearhebelst.) (mit LED) (mit Schalter)	Housing (with LED) (with switch)	Dessus (avec LED) (avec commutateur)	
16	EEA4858	1	Gehäuse (Linearhebelst.) (ohne LED) (mit Schalter)	Housing (without LED) (with switch)	Dessus (sans LED) (avec commutateur)	
17	EEA6189	1	Gehäuseoberteil	Housing top	Dessus de logement	
18	EEA10000	1	Verbindungskabel (Display)	connecting cable (Display)	Cable (Display)	
19	EEA9901	1	Linearhebel (4-polig)	Linear levers (4-pole)	tiges lineair (4-de poles)	L2

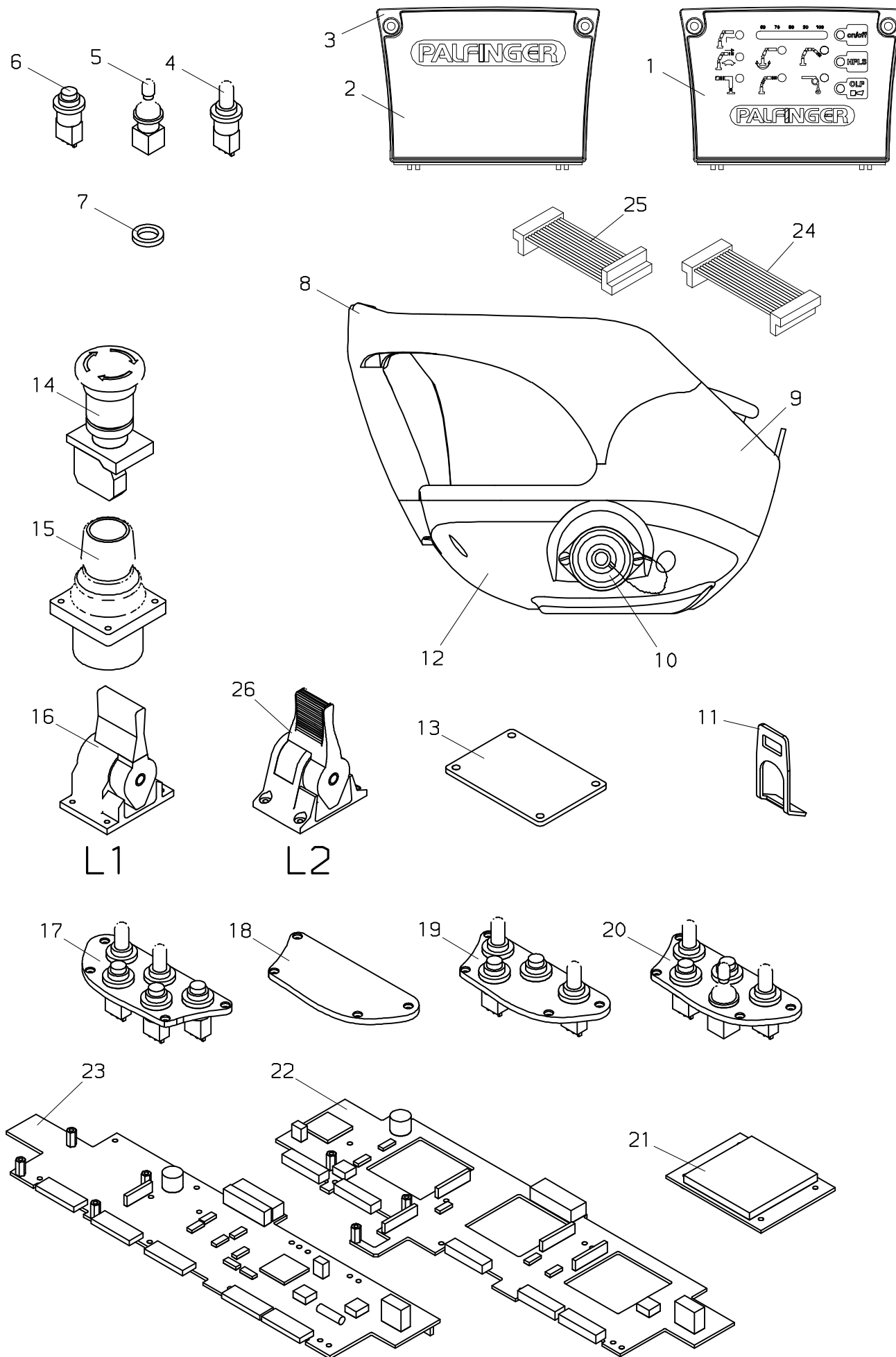
010.0900

01/2012

PALFINGER

RC 400 P2

Sendepult groß
Portable control big
Portative commande grand



PALFINGER**RC 400 P2****Sendepult groß
Portable control big
Portative commande grand**zu Tafel
to figure **010.0900**
voir planche

01/2012

Nr. No. No.	Ersatzteil Nr. Sparepart no. No Piece de rechange	Stk. Qty. Nbre.	Teilebezeichnung	Description	Nomenclature	Abmessung Dimension Dimension
1	EEA4793	1	Display	Display	Affichage	
2	EB4944	1	Klebeschild	Shield	Plaque	
3	EEA4717	1	Blindplatte	blanking plate	plaque obturatrice	
4	EEA4013	1	Wippschalter	Rocker switches	Commutateurs de culbuteur	ON-ON
4	EEA2582	1	Wippschalter	Rocker switches	Commutateurs de culbuteur	ON-OFF-ON
4	EEA2569	1	Tippschalter	Tapping switches	Le tapement commute	ON-OFF-ON
5	EEA4059	1	Wippschalter	Rocker switches	Commutaters de culbuteur	ON-OFF-ON
			(rastend) (2-Stellungen) (lifted before switch)	(detent) (2-positions)	(crantage) (2-positions)	
6	EEA2570	1	Drucktaster	Push button	Bouton-poussoir	
7	EEA4919	1	Distanzring (für 3-4-5)	Distance ring (for 3-4-5)	Bague a distance (pour 3-4-5)	
8	EEA4715	1	Gehäuseoberteil (Linearhebelst.)	Housing top	Dessus de logement	
8	EEA4709	1	Gehäuseoberteil (Kreuzhebelst.)	Housing top (cross levers)	Dessus de logement (tiges croises)	
9	EEA4914	1	Gehäuse (Linearhebelst.)	Housing	Dessus	
9	EEA4859	1	Gehäuse (Kreuzhebelst.)	Housing (cross levers)	Dessus (tiges croises)	
10	EEA4714	1	Stecker 7-Polig	Pulg 7-pole	Fiche 7-poles	
	EEA4301		Verschlußkappe (für EEA4714)	Cap (for EEA4714)	Chapuchon protect (pour EEA4714)	
11	EEA2763	1	Gurtbefestigung	Belt attachment	Connexion de ceinture	
12	EEA4708	1	Gehäuseunterteil	Housing base	Base de logement	
13	EK1228	1	Blindplatte (Kreuzhebelst.)	blanking plate (cross levers)	plaque obturatrice (tiges croises)	
13	EEA2541	1	Blindplatte (Linearhebelst.)	blanking plate	plaque obturatrice	
14	EEA5438	1	Not-Aus Taster	Emergency cut-off feeler	Boite d' arret d' urgence	
15	EEA4000	1	Kreuzhebel	Cross levers	tiges croises	2 axis
15	EEA4001	1	Kreuzhebel	Cross levers	tiges croises	3 axis
16	EEA2506	1	Linearhebel (5-polig)	Linear levers (5-pole)	Lineaires leviers (5-de poles)	L1
17	EEA4920	1	Schaltereinheit (für EEA4481/96) (für EEA4483/98) (für EEA4484/99) (für EEA4823/24) (für EEA4473/88) (für EEA4475/90) (für EEA4477/92) (für EEA4478/93)	Switch unit (for EEA4481/96) (for EEA4483/98) (for EEA4484/99) (for EEA4823/24) (for EEA4473/88) (for EEA4475/90) (for EEA4477/92) (for EEA4478/93)	Commutez l' unite (pour EEA4481/96) (pour EEA4483/98) (pour EEA4484/99) (pour EEA4823/24) (pour EEA4473/88) (pour EEA4475/90) (pour EEA4477/92) (pour EEA4478/93)	
17	EEA4921	1	Schaltereinheit	Switch unit	Commutez l' unite	

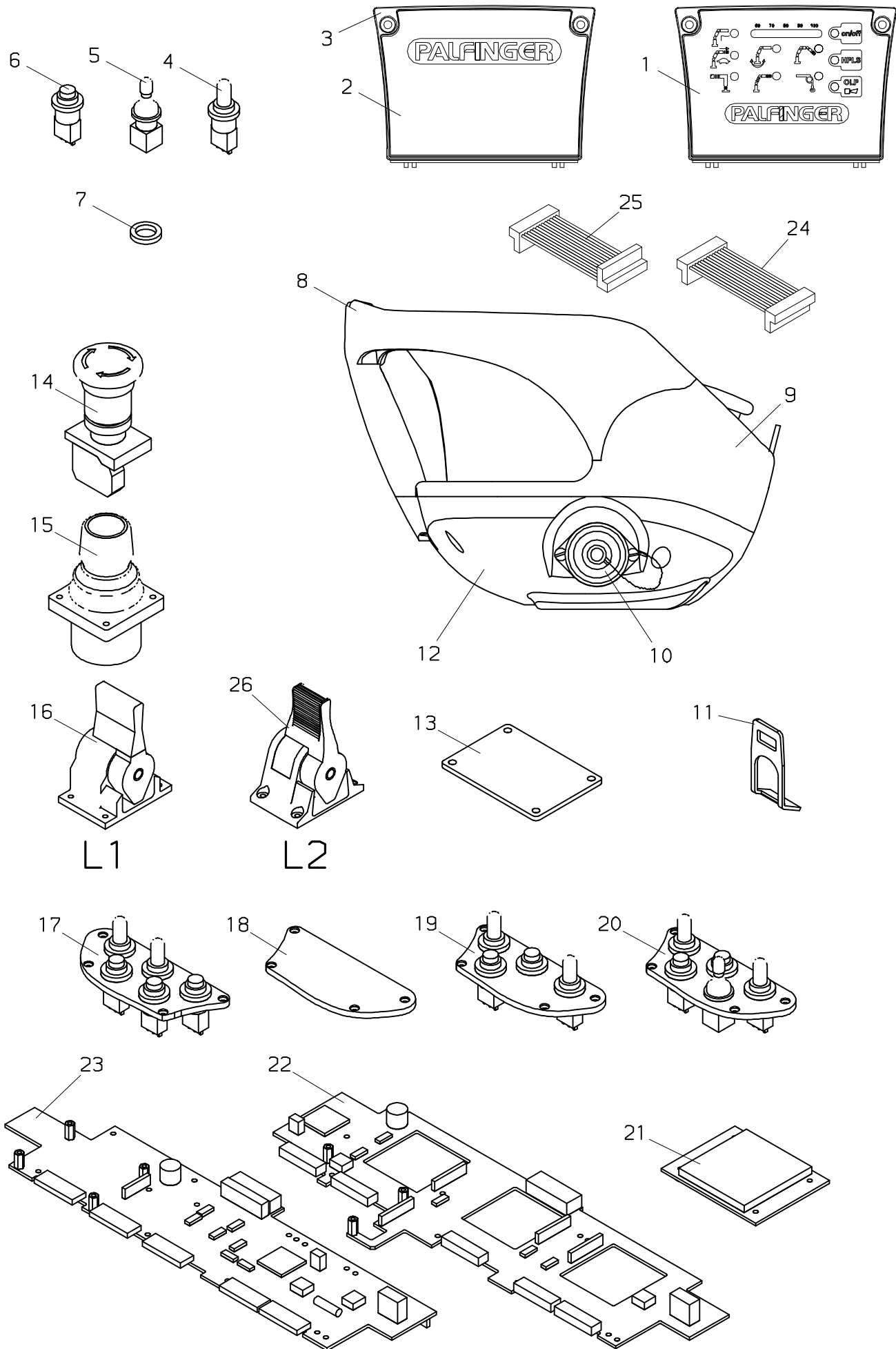
010.0900

01/2012

PALFINGER

RC 400 P2

Sendepult groß
Portable control big
Portative commande grand



PALFINGER**RC 400 P2****Sendepult groß
Portable control big
Portative commande grand**zu Tafel
to figure **010.0900**
voir planche

01/2012

Nr. No. No.	Ersatzteil Nr. Sparepart no. No Piece de rechange	Stk. Qty. Nbre.	Teilebezeichnung	Description	Nomenclature	Abmessung Dimension Dimension
			(für EEA4482/97) (für EEA4474/89) (für EEA4476/91)	(for EEA4482/97) (for EEA4474/89) (for EEA4476/91)	(pour EEA4482/97) (pour EEA4474/89) (pour EEA4476/91)	
18	EEA2759	1	Abdeckung	Cover	Recouvrement	
19	EEA4922	1	Schaltereinheit	Switch unit	Commutez l' unite	
20	EEA4923	1	Schaltereinheit	Switch unit	Commutez l' unite	
			(für EEA4484/99)	(for EEA4484/99)	(pour EEA4484/99)	
20	EEA4924	1	Schaltereinheit	Switch unit	Commutez l' unite	
			(für EEA4823/24)	(for EEA4823/24)	(pour EEA4823/24)	
20	YE81387	1	Schaltereinheit (für Epsilon)	Switch unit (for Epsilon)	Commutez l' unite (pour Epsilon)	
21	EEA4860	1	HF-Module, kpl. (Europafrequenz)	RF-module, cpl. (Europe frequenz)	Module-HF, cplt. (Europe frØquence)	
21	EEA4718	1	HF-Module, kpl. (USA/CDN Frequenz)	RF-module, cpl. (USA/CDN frequency)	Module-HF, cplt. (USA/CDN frØquence)	
22	EEA4916	1	Platine (Kreuzhebelst.)	Attachment board (cross levers)	Platine (tiges croises)	
23	EEA4915	1	Platine (Linearhebelst.)	Attachment board	Platine	L1
23	EEA5470	1	Platine (Linearhebelst.)	Attachment board	Platine	L2
24	EEA9999	1	Verbindungskabel (Display)	connecting cable (Display)	Cable (Display)	
25	EEA4846	1	Verbindungskabel (Joystick)	connecting cable (Joy stick)	Cable (Joy stick)	
26	EEA9901	1	Linearhebel (4-polig)	Linear levers (4-pole)	tiges lineair (4-de poles)	L2

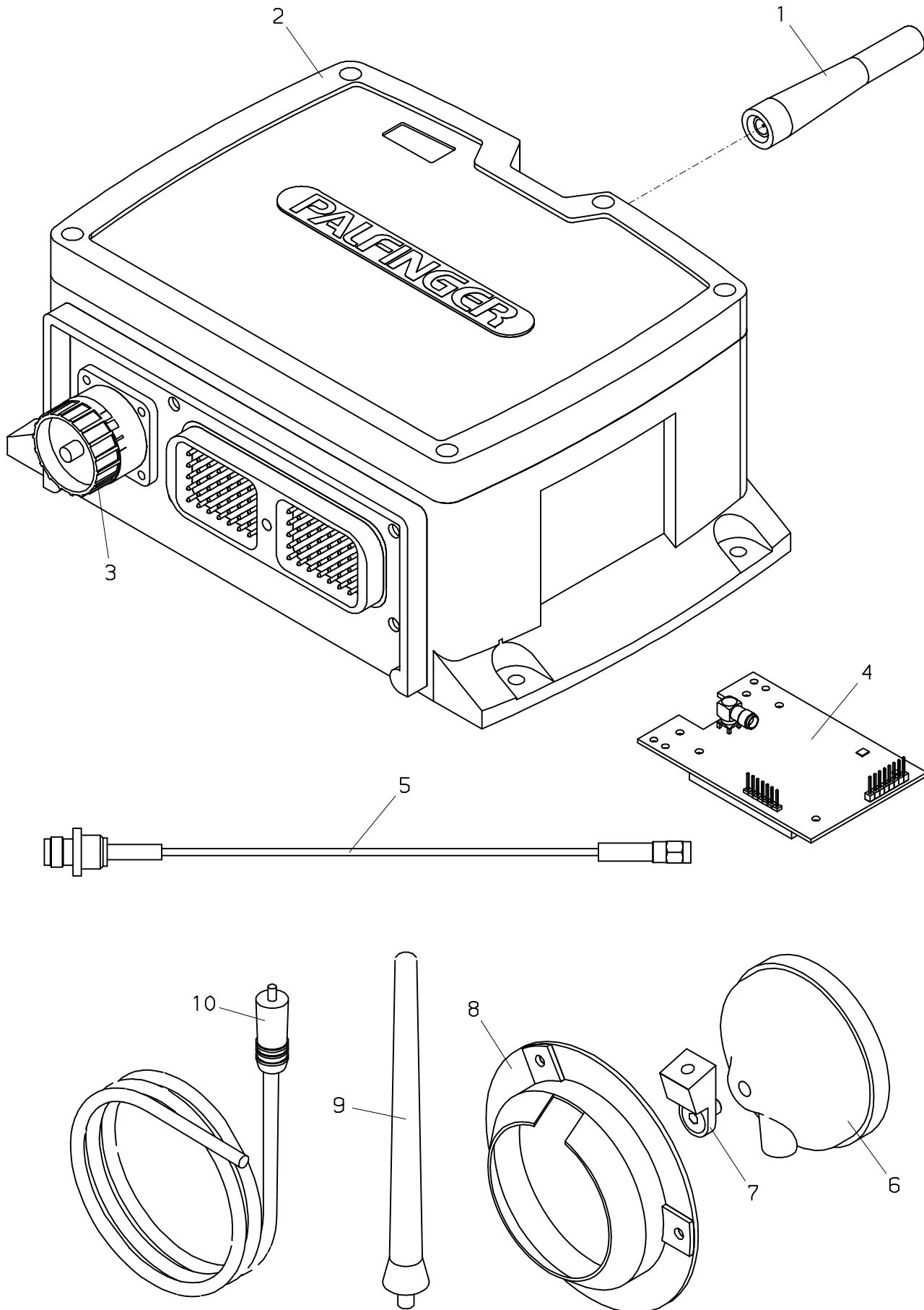
020.0100

10/2012

PALFINGER

RC 400 P2

Empfänger
Receiver
Recepteur



PALFINGER**RC 400 P2****Empfänger
Receiver
Recepteur**zu Tafel
to figure
voir planche**020.0100**

10/2012

Nr. No.	Ersatzteil Nr. Sparepart no. No Piece de rechange	Stk. Qty. Nbre.	Teilebezeichnung	Description	Nomenclature	Abmessung Dimension Dimension
1	EEA4796	1	Antenne (Europafrequenz)	Antenna (Europe frequenz)	Antenne (Europe frØquence)	
1	EEA4720	1	Antenne (USA/CDN Frequenz)	Antenna (USA/CDN frequency)	Antenne (USA/CDN frØquence)	
2	EEA4570	1	Empfänger (Europafrequenz)	Receiver (Europe frequenz)	Recepteur (Europe frØquence)	PVG 7Prop
2	EEA4610	1	Empfänger (USA/CDN Frequenz)	Receiver (USA/CDN frequency)	Recepteur (USA/CDN frØquence)	PVG 7Prop
2	EEA5653	1	Empfänger (Japanfrequenz)	Receiver (Japan frequenz)	Recepteur (Japan frØquence)	PVG 7Prop
2	EEA5654	1	Empfänger (Japanfrequenz)	Receiver (Japan frequenz)	Recepteur (Japan frØquence)	RSQ 7Prop
2	EEA4571	1	Empfänger (Europafrequenz)	Receiver (Europe frequenz)	Recepteur (Europe frØquence)	RSQ 8Prop
2	EEA4611	1	Empfänger (USA/CDN Frequenz)	Receiver (USA/CDN frequency)	Recepteur (USA/CDN frØquence)	RSQ 8Prop
2	EEA5709	1	Empfänger (Europafrequenz)	Receiver (Europe frequenz)	Recepteur (Europe frØquence)	PVG 8Prop
3	EEA4911	1	Abdeckkappe	Cap	Chapuchon protect	
4	EEA4795	1	HF-Module, kpl. (Europafrequenz)	RF-module, cpl. (Europe frequenz)	Module-HF, cplt. (Europe frØquence)	
4	EEA4719	1	HF-Module, kpl. (USA/CDN Frequenz)	RF-module, cpl. (USA/CDN frequency)	Module-HF, cplt. (USA/CDN frØquence)	
5	EEA4907	1	Antennenkabel	aerial cable	cable aerien	
6	EEA5096	1	Halterung	Bearer	Support	
7	EEA5097	1	Adapter	Adapter	Raccord reducteur	
8	EEA5095	1	Halterung	Bearer	Support	
9	EEA5094	1	Antenne (nur EU)	Antenna (only EU)	Antenne (seulement EU)	
9	EEA5093	1	Antenne (nur USA)	Antenna (only USA)	Antenne (seulement USA)	
10	EEA5098	1	Antennenkabel	aerial cable	cable aerien	2.5 m
10	EEA5099	1	Antennenkabel	aerial cable	cable aerien	5 m
10	EEA5100	1	Antennenkabel	aerial cable	cable aerien	10 m

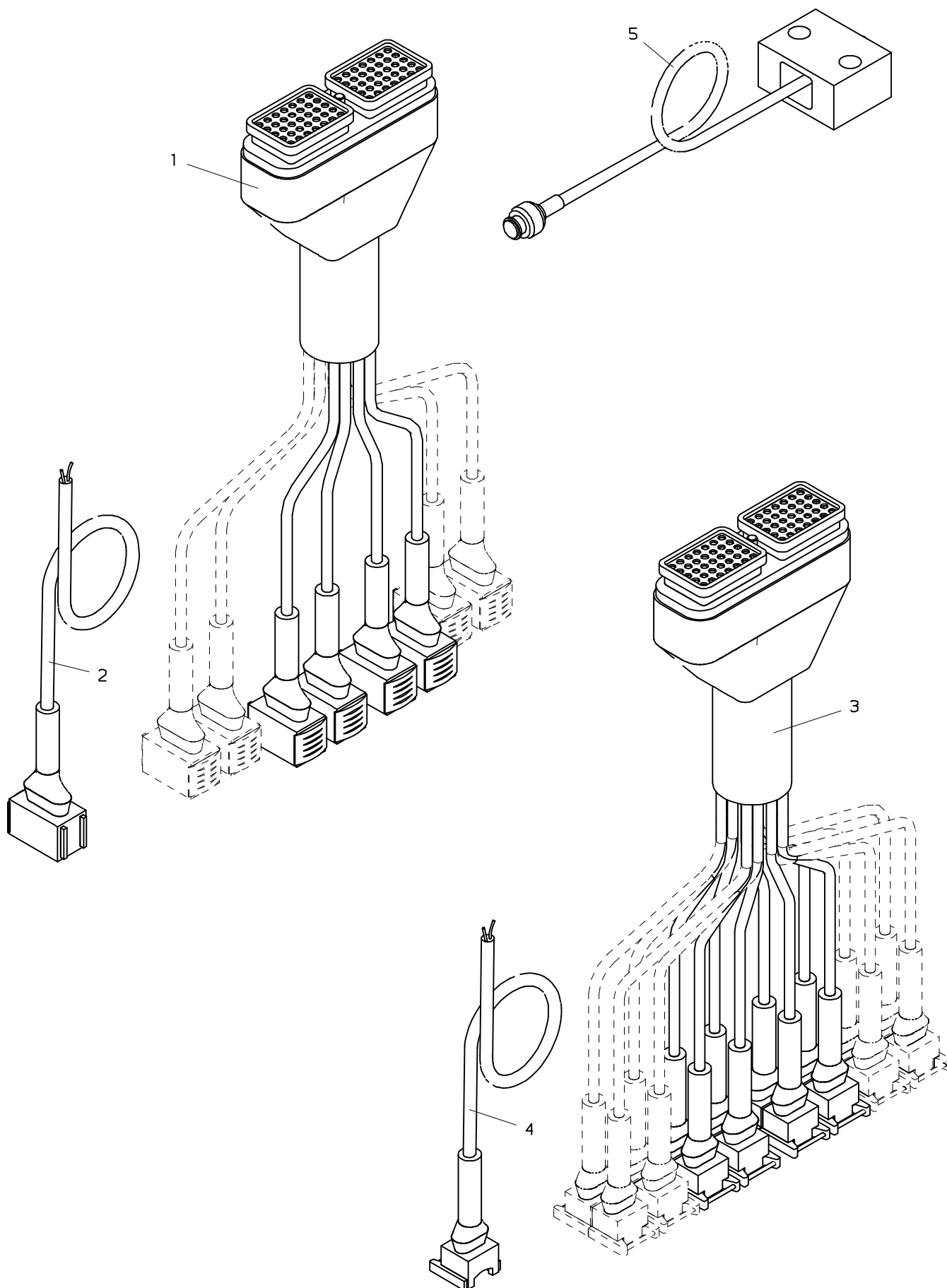
030.0100

12/2005

PALFINGER

RC 400 P2

Stecker
Plug
Fiche



PALFINGER**RC 400 P2****Stecker
Plug
Fiche**zu Tafel
to figure
voir planche**030.0100**

12/2005

Nr. No. No.	Ersatzteil Nr. Sparepart no. No Piece de rechange	Stk. Qty. Nbre.	Teilebezeichnung	Description	Nomenclature	Abmessung Dimension Dimension
1	EEA4202S	1	Stecker,kpl. (DANFOSS,AMP) (4-fach)	Plug,cpl. (DANFOSS,AMP) (4-sections)	Fiche,cplt. (DANFOSS,AMP) (4-elements)	
1	EEA4989	1	Stecker,kpl. (DANFOSS,AMP) (6-fach)	Plug,cpl. (DANFOSS,AMP) (6-sections)	Fiche,cplt. (DANFOSS,AMP) (6-elements)	
1	EEA4990	1	Stecker,kpl. (DANFOSS,AMP) (8-fach)	Plug,cpl. (DANFOSS,AMP) (8-sections)	Fiche,cplt. (DANFOSS,AMP) (8-elements)	
2	EEA4200	1	Stecker mit Kabel (AMP)	Plug with cable (AMP)	Fiche avec cable (AMP)	
3	EEA4568	1	Stecker,kpl. (RSQ 240 RC) (4-fach)	Plug,cpl. (RSQ 240 RC) (4-sections)	Fiche,cplt. (RSQ 240 RC) (4-elements)	
3	EEA4991	1	Stecker,kpl. (RSQ 240 RC) (6-fach)	Plug,cpl. (RSQ 240 RC) (6-sections)	Fiche,cplt. (RSQ 240 RC) (6-elements)	
3	EEA4992	1	Stecker,kpl. (RSQ 240 RC) (8-fach)	Plug,cpl. (RSQ 240 RC) (8-sections)	Fiche,cplt. (RSQ 240 RC) (8-elements)	
4	EEA4201	1	Stecker mit Kabel (RSQ)	Plug with cable (RSQ)	Fiche avec cable (RSQ)	
5	EEA4732	1	Antennenkabel	aerial cable	cable aerien	2.5m
5	EEA4721	1	Antennenkabel	aerial cable	cable aerien	5 m
5	EEA4733	1	Antennenkabel	aerial cable	cable aerien	10m

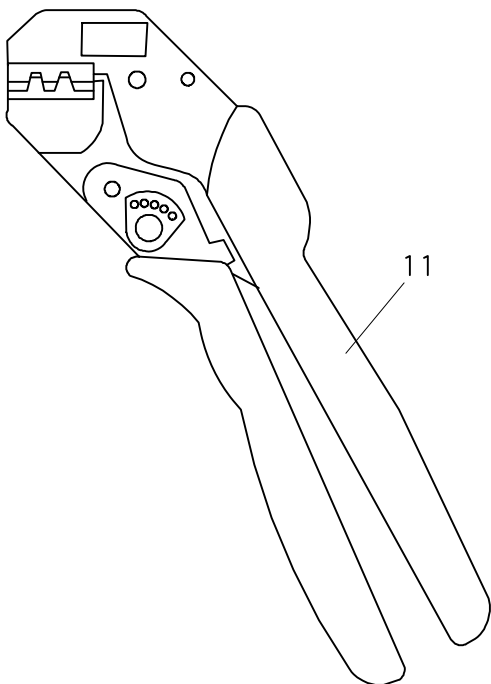
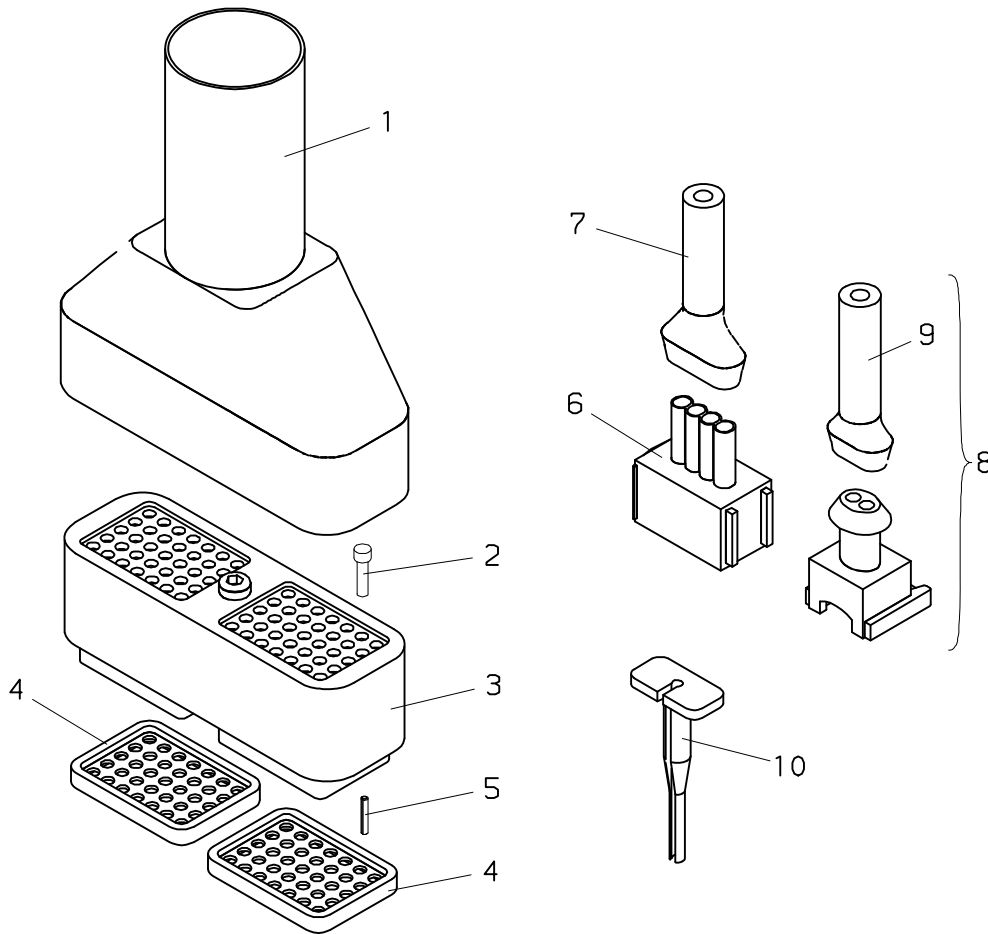
030.0200

12/2005

PALFINGER

RC 400 P2

**Stecker
Plug
Fiche**



PALFINGER**RC 400 P2****Stecker
Plug
Fiche**zu Tafel
to figure
voir planche**030.0200**

12/2005

Nr. No. No.	Ersatzteil Nr. Sparepart no. No Piece de rechange	Stk. Qty. Nbre.	Teilebezeichnung	Description	Nomenclature	Abmessung Dimension Dimension
1	EEA4169	1	Gummikappe	Cap	Capouchon	
2	EEA4423		Dichtstopfen	Seal plug	Bouchon	
3	EEA4090	1	Stecker (+4)	Plug (+4)	Fiche (+4)	
4	EEA4424	2	Dichtung	Seal	Joint d'etancheite	
5	EEA4092		Kontakt	Contact	Contact	1-2.8 mm
5	EEA4093		Kontakt	Contact	Contact	0.5-1 mm
6	EEA2608	1	Stecker ohne Kabel (AMP)	Plug without cable (AMP)	Fiche sans cable (AMP)	
7	EZ1731	1	Gummikappe	Cap	Capouchon	
8	EEA4425	1	Stecker ohne Kabel (RSQ) (+9)	Plug without cable (RSQ) (+9)	Fiche sans cable (RSQ) (+9)	
9	EEA4426	1	Gummikappe	Cap	Capouchon	
10	EEA4411	1	Auswerfer	Ejector	E'jecteur	
11	EEA4412	1	Zange	Pliers	Pince	

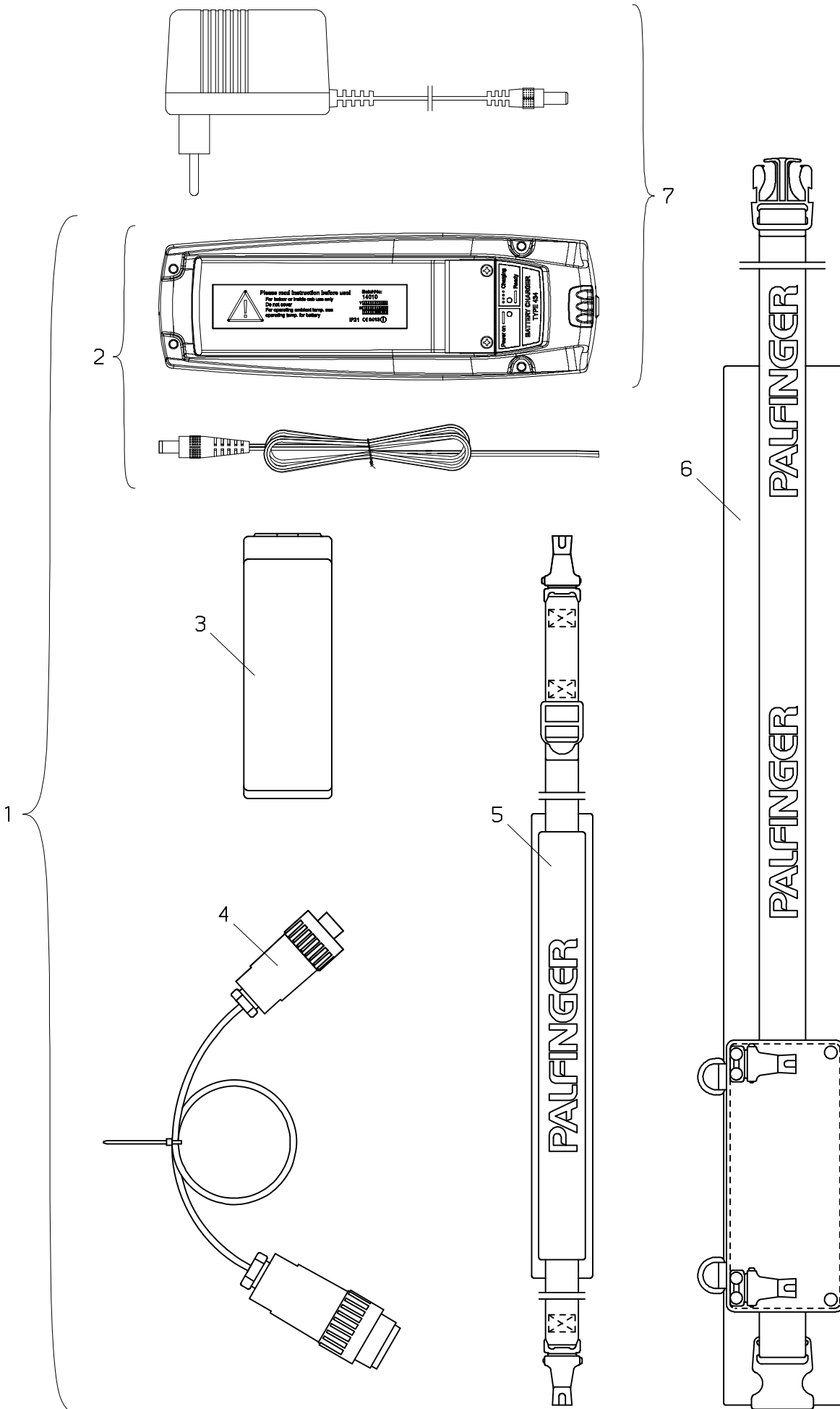
040.0100

12/2005

PALFINGER

RC 400 P2

Zubehör
Accessories
Accessories



PALFINGER**RC 400 P2****Zubehör
Accessoires
Accessoires**zu Tafel
to figure
voir planche**040.0100**

12/2005

Nr. No. No.	Ersatzteil Nr. Sparepart no. No Piece de rechange	Stk. Qty. Nbre.	Teilebezeichnung	Description	Nomenclature	Abmessung Dimension Dimension
1	EZ2600	1	Zubehör Set	Accessoires Set	Accessoires Set	
2	EEA4291	1	Ladegerät	Charger	Appareil de charge	10-30V
3	EEA2512	2	Akku	Accu	Accu	7.2 VDC
4	EEA4699	1	Steuerkabel	Control cables	Cables de commande	
5	EZ1607	1	Nackengurt	Neck belt	Ceinture de cou	
6	EZ1608	1	Beckengurt	Lap belt	Ceinture abdominale	
7	EEA4404	1	Ladegerät	Charger	Appareil de charge	110-220VAC

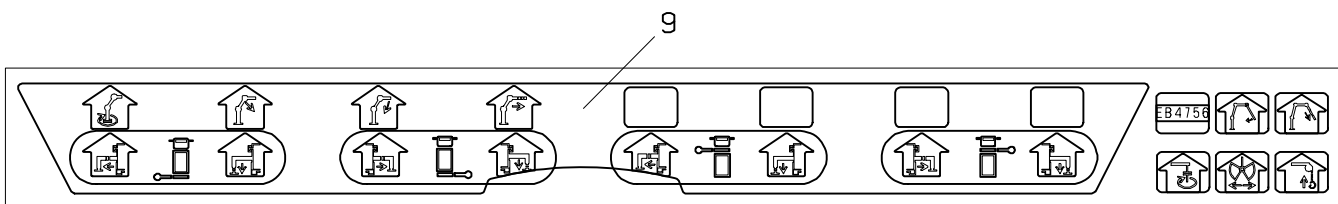
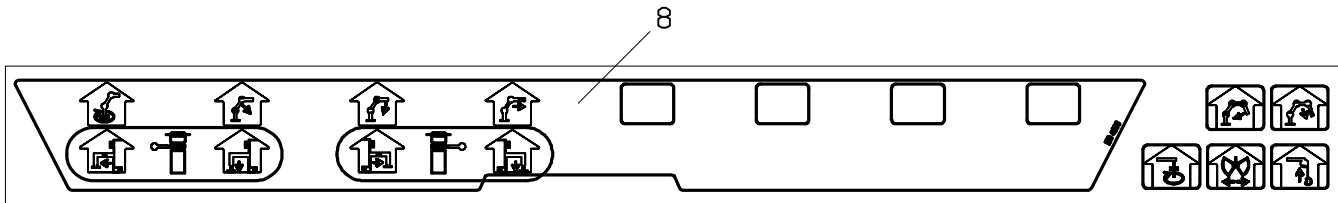
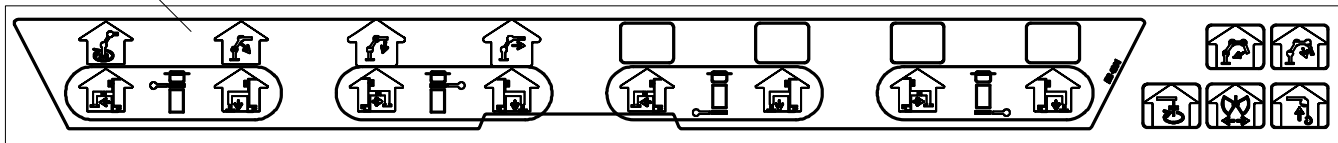
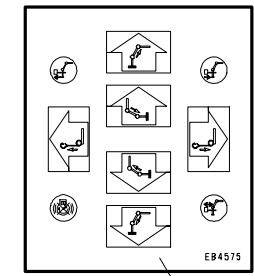
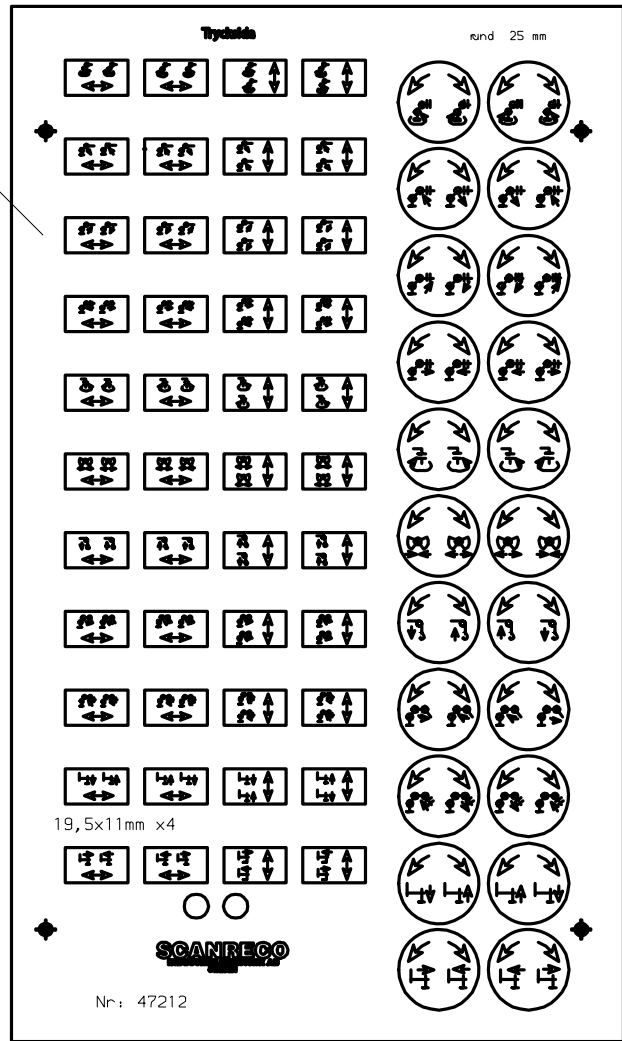
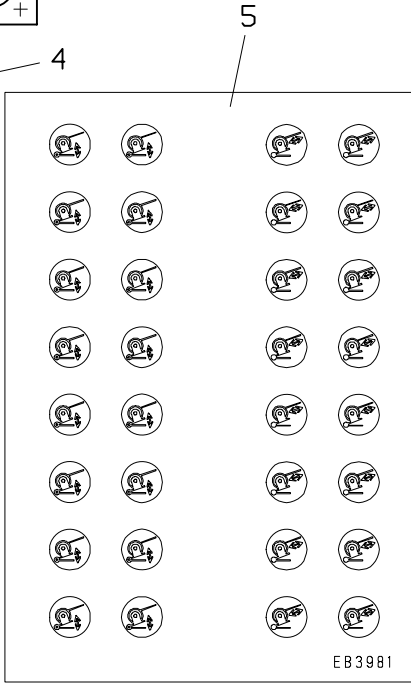
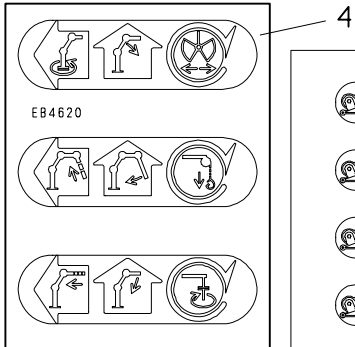
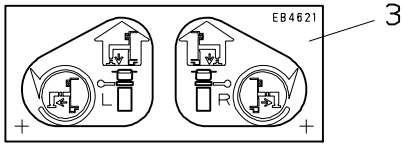
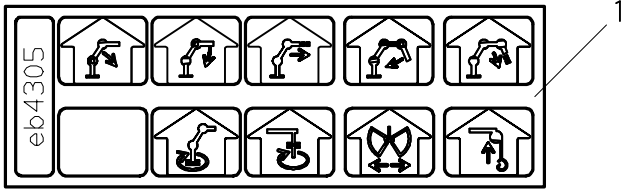
040.0200

06/2007

PALFINGER

RC 400 P2

Schilder
Shields
Shields



PALFINGER**RC 400 P2****Schilder
Shields
Shields**zu Tafel
to figure
voir planche**040.0200**

06/2007

Nr. No. No.	Ersatzteil Nr. Sparepart no. No Piece de rechange	Stk. Qty. Nbre.	Teilebezeichnung	Description	Nomenclature	Abmessung Dimension Dimension
1	EB4305	1	Symbolschild	Symbol shield	Plaque de symbole	
2	EK1143	1	Klebeschilder	Shields	Plaque	
3	EB4621	1	Symbolschild	Symbol shield	Plaque de symbole	
4	EB4620	1	Symbolschild	Symbol shield	Plaque de symbole	
5	EB3981	1	Klebeschild	Shield	Plaque	
6	EB4575	1	Symbolschild	Symbol shield	Plaque de symbole	
7	EB4301	1	Symbolschild	Symbol shield	Plaque de symbole	
8	EB4300	1	Symbolschild	Symbol shield	Plaque de symbole	
9	EB4756	1	Symbolschild	Symbol shield	Plaque de symbole	

